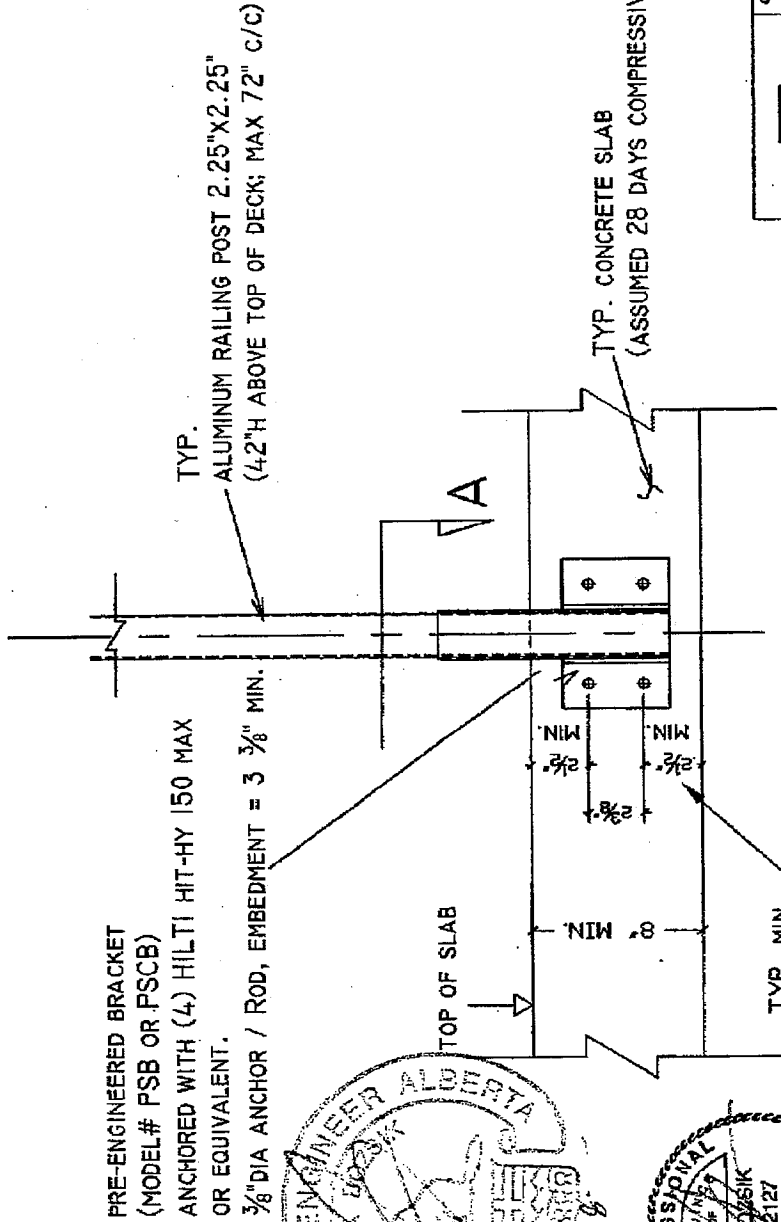
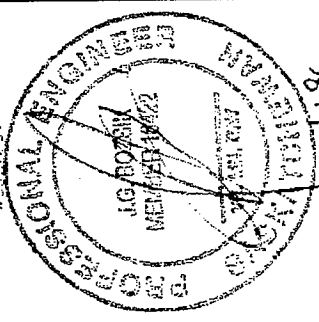
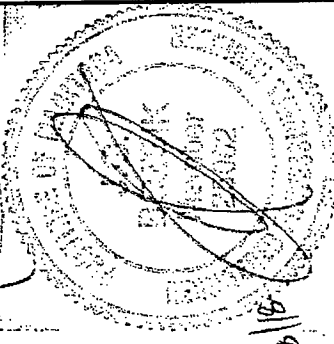
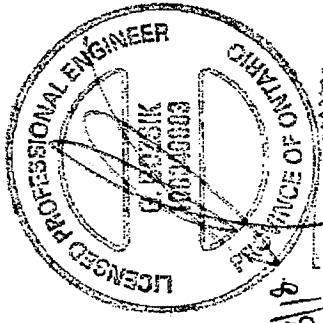


**SECTION A**



**FRONT**



MAR 8/18

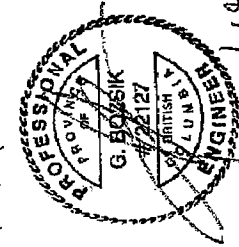
MAR 8/18

MAR 8/18

TYP. CONCRETE SLAB  
(ASSUMED 28 DAYS COMPRESSIVE STRENGTH = 30MPA MIN.)



MAR 8/18



MAR 8/18

<b>BA</b>	CUSTOMER: Regal Ideas
	SUBJECT: Rail post Side-Mounted to Concrete Slab Details
DATE: 28/Feb/2018	SCALE: N.T.S.
Burnaby Engineering Associates Ltd.	Proj No. 3-2564