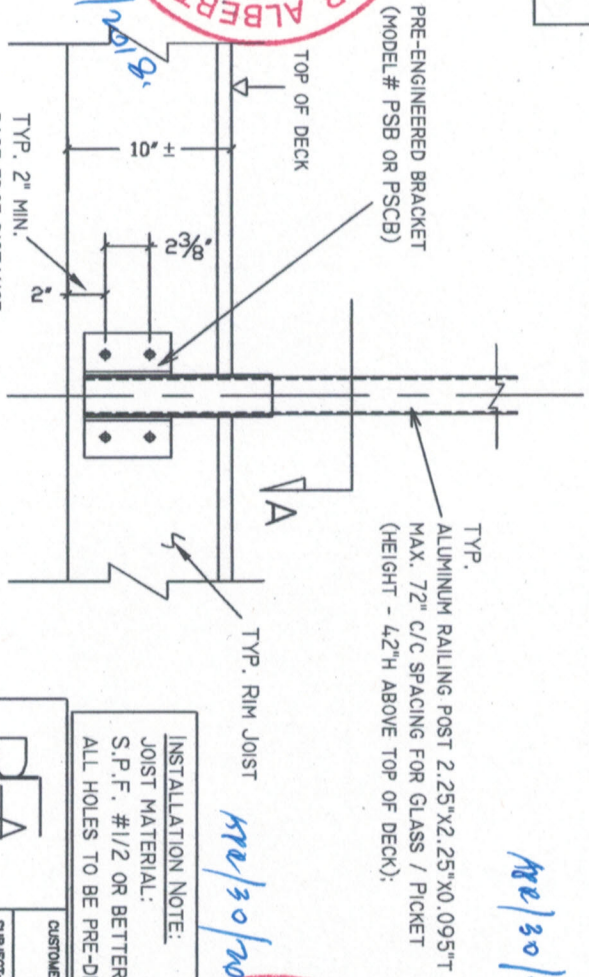


NOTE: LAGSCREW & BOLTING DESIGN
BASED ON DRY SERVICE CONDITION

- TYP. CONNECTION: **OPTION A**
- (2) 3/8" Ø GALVANIZED LAGSCREWS (EMBEDMENT = 10.9" MIN. INTO JOIST)
 - (2) 3/8" Ø A325 GALVANIZED BOLTS (THRU. BOLT) C/W NUT & OVERSIZE WASHERS
 - *INTO / THROUGH BLOCKING*

- TYP. CONNECTION: **OPTION B**
- (4) 3/8" Ø A325 GALVANIZED BOLTS (THRU. BOLT) C/W NUT & OVERSIZE WASHERS
 - *INTO / THROUGH BLOCKING*

SECTION A (N.T.S.)



INSTALLATION NOTE:
JOIST MATERIAL:
S.P.F. #1/2 OR BETTER; SPECIFIC GRAVITY 0.49 MIN.
ALL HOLES TO BE PRE-DRILL (DO NOT SPLIT WOOD)

CUSTOMER: Regal Ideas

FRONT VIEW (N.T.S.)



		DATE: 30/April/2018 Dwg No. 3-2561 SCALE: N.T.S.
SUBJECT: 'Regal' Rail post Side-Mounted to wood deck details		
Burreddy Engineering Associates Ltd.		