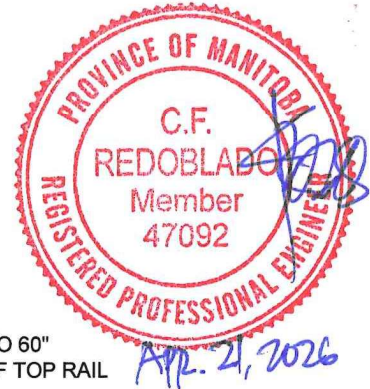
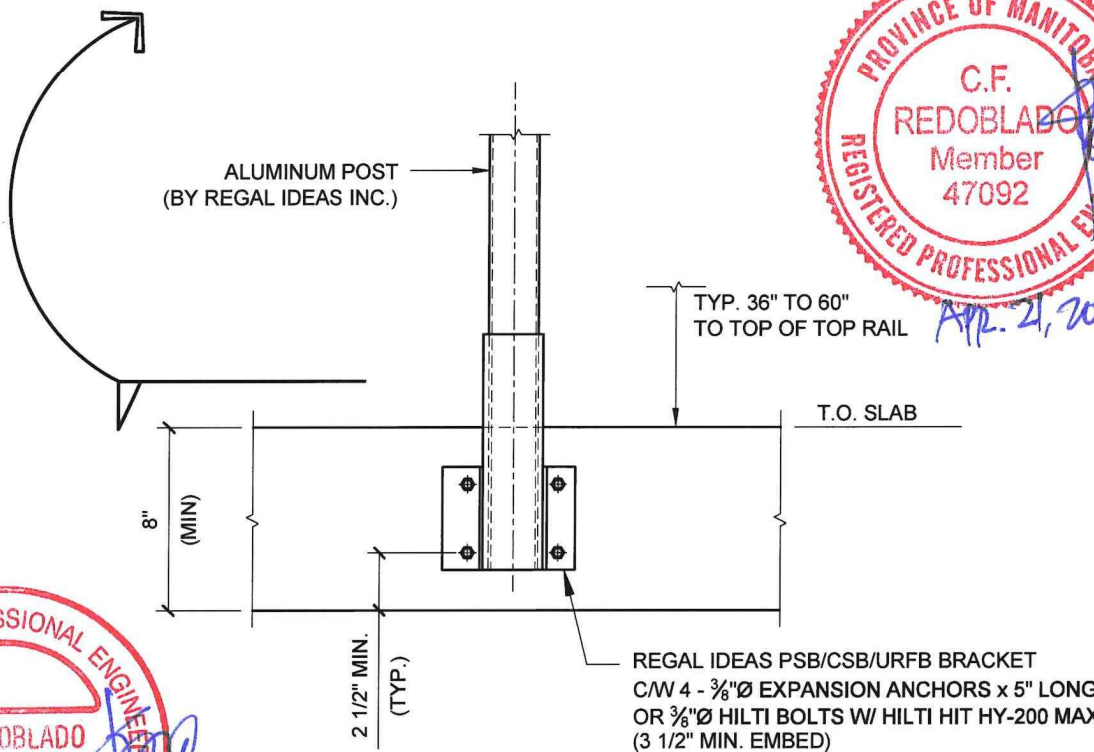
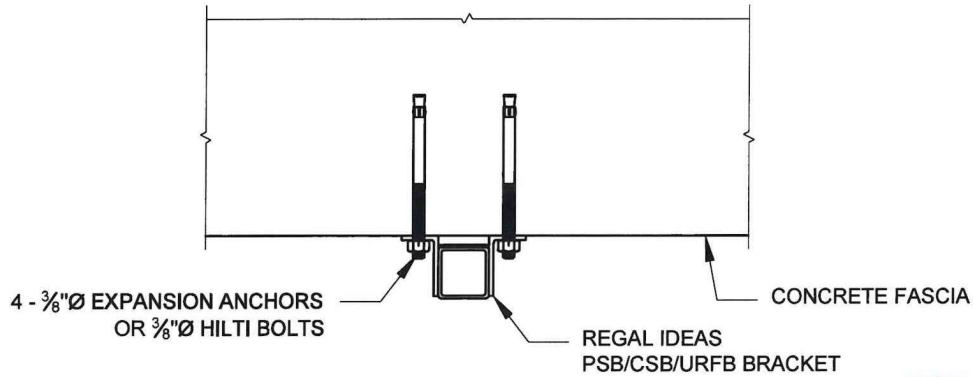


CONCRETE CORNER MOUNTING DETAIL

1 1/2"=1'-0"



PERMIT TO PRACTICE NO.: 1002872 		JCJ DESIGN ENGINEERING LTD. C410 - 20178 96 AVENUE LANGLEY BC CANADA V1M 0B2 T: 604-533-8423 W: www.jcjdengine.com						
PROJECT:		CONCRETE MOUNT CORNER BRACKET						
CLIENT:		REGAL IDEAS INC.						
SHEET CONTENT:		STRUCTURAL NOTES						
No.	DESCRIPTION	DATE	BY	CHK	DATE:	SCALE:	PROJECT NO.:	SHEET NO.:
3	REVISED PER COMMENTS	APR. 8, 2026	RS	CFR	02/13/2026	AS SHOWN	R10-11	02
2	REVISED PER COMMENTS	MAR. 03, 2026	RS	CFR				
1	STANDARD DETAIL	FEB. 18, 2026	RS	CFR				



CONCRETE STANDARD MOUNTING DETAIL

1 1/2"=1'-0"



<p>PROVINCE OF C. REDOBLADO # 37193 BRITISH COLUMBIA ENGINEER</p> <p>APR. 21, 2026</p>	PERMIT TO PRACTICE NO: 1002872	JJ DESIGN ENGINEERING LTD. C410 - 20178 96 AVENUE LANGLEY BC CANADA V1M 0B2 T: 604-533-8423 W: www.jjdesigneng.com		
	PROJECT: CONCRETE MOUNT STANDARD BRACKET	CLIENT: REGAL IDEAS INC.		
SHEET CONTENT: STRUCTURAL NOTES		DATE: 02/13/2026	SCALE: AS SHOWN	PROJECT NO.: R10-11
THIS DRAWING IS FOR READ ONLY PURPOSES. NO DUPLICATION OR REPRODUCTION OF ANY KIND IS PERMITTED WITHOUT THE WRITTEN CONSENT OF J.C.J DESIGN ENGINEERING LTD.		SHEET NO.: 03	3	

No.	DESCRIPTION	DATE	BY	CHK
3	REVISED PER COMMENTS	APR. 8, 2026	RS	CFR
2	REVISED PER COMMENTS	MAR. 03, 2026	RS	CFR
1	STANDARD DETAIL	FEB. 18, 2026	RS	CFR