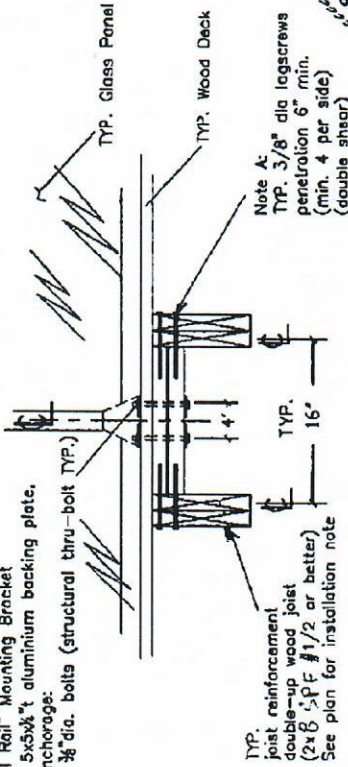
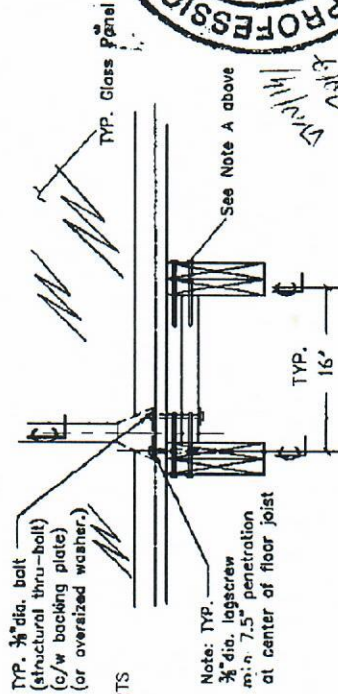


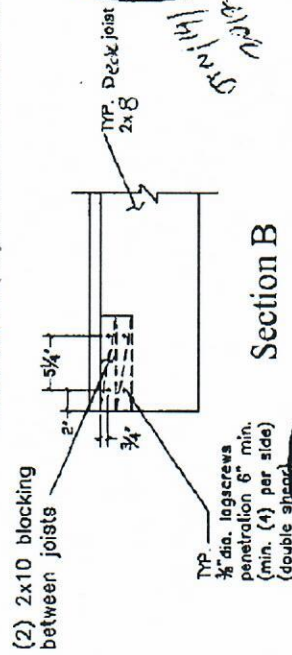
TYP. Pre-Engineered
"Crystal Rail" Mounting Bracket
having 5x5x $\frac{1}{4}$ " aluminium backing plate,
C/W anchorage:
•• (4) $\frac{3}{8}$ " dia. bolts (structural thru-bolt TYP.)



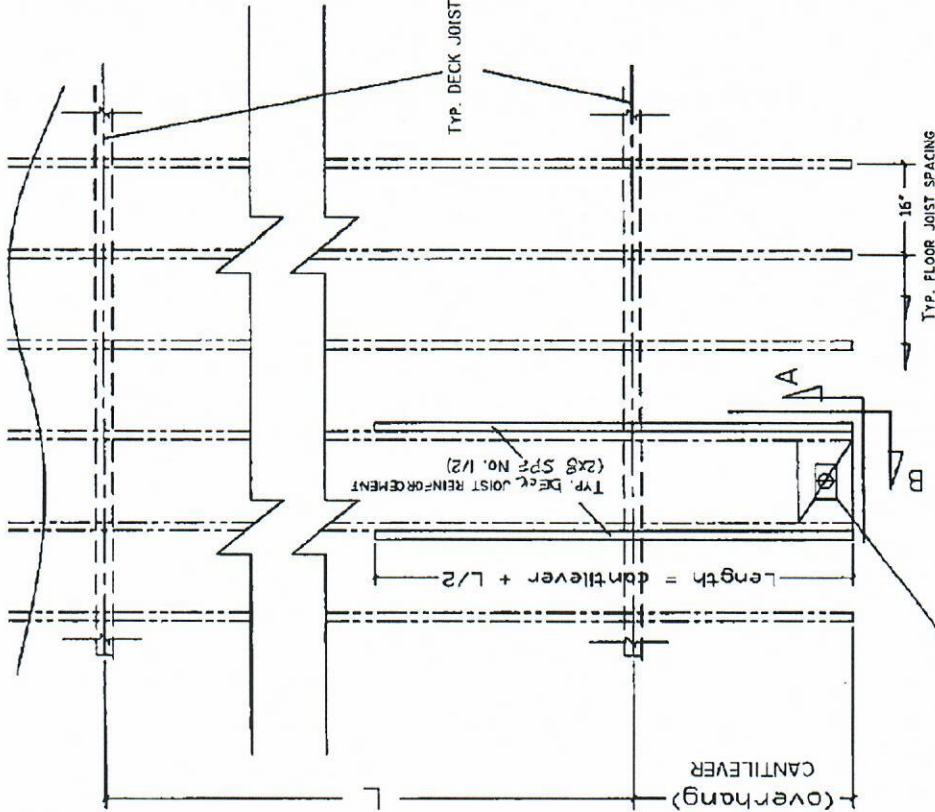
Section A (Crystal Rail Bracket over blocking)



Section A (Crystal Rail Bracket over floor joist)



Section B

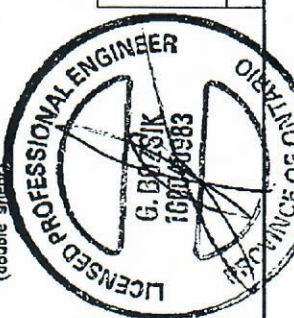
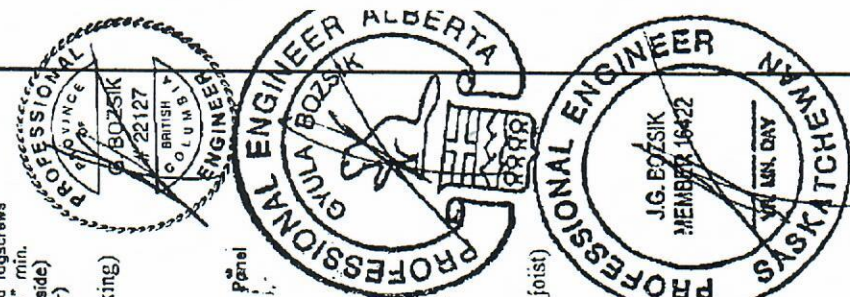


TYP. Deck Plan View

Installation Note:

TYP. 2x8 Joist reinforcement length = L/2 + cantilever
c/w 2 $\frac{1}{2}$ " long comm. nails in 3 rows, @ 6" O.C. stag.

JUN 17 2017
DIP 1/11/2017



	CUSTOMER: Regal Ideas
	SUBJECT: Crystal Rail Mount Details
Burnby Engineering Associates Ltd. 12/Tune/2017 9-2438-1 N.T.S.	

